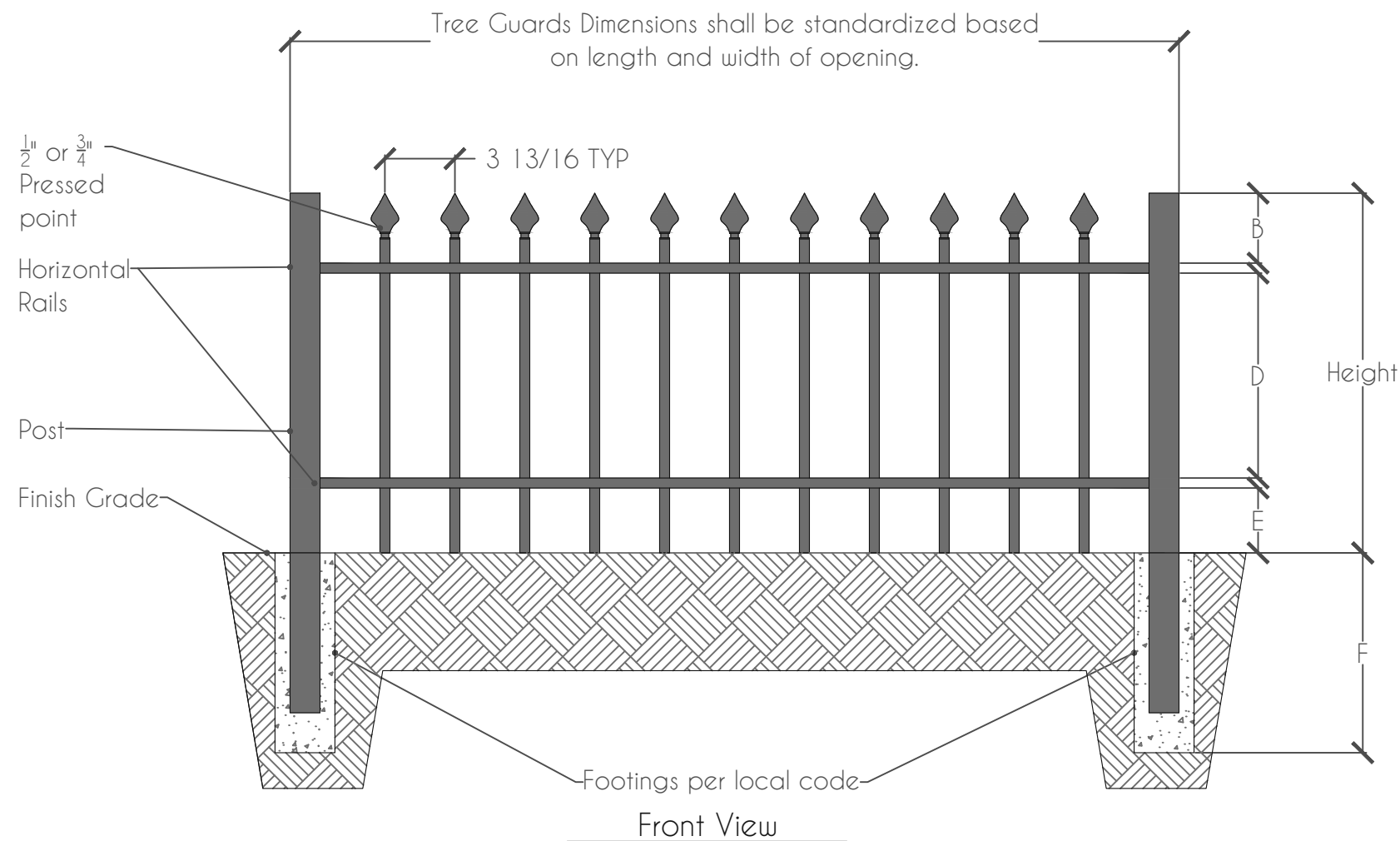


Tree Guard/ Picket Styles: Pressed Point

Scale 1-1/2" = 1'-0"



SPECIFICATIONS:

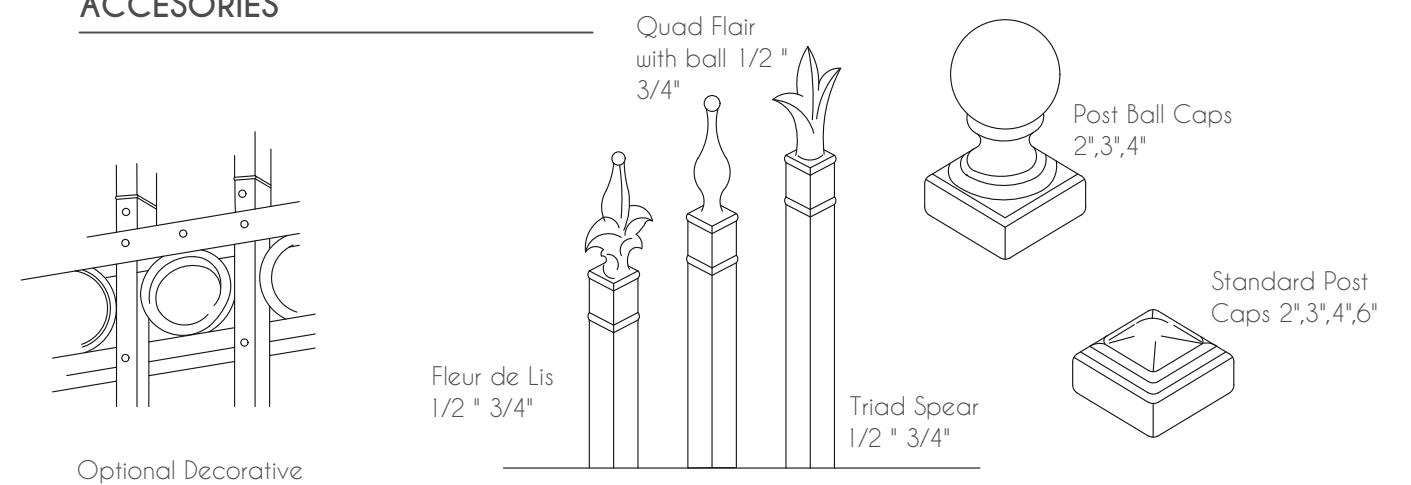
- Post above grade: 1 1/2"x 1 1/2"x 1/8" tubing, 18 in length.
- Top Rail: 1/2" molded steel bars
- Pickets: 1/2" x 1/2" solid steel bar and 1/4" x 1/4" solid steel bar.
- MID Rail: 1/2" x 1/8" and 1/4" x 1/8" steel channel punched.
- Bottom Rail: 1/2" x 1/8" and 1/4" x 1/8" steel channel punched to accept pickets.

DIMENSIONS		
Letters	Height	Total Height
A	3.0"-4.0"	1'5", 2'
B	3.0"-6.0"	
C	3.0"	
D	7.0"-14.0"	
E	3.25"-3.50"	
F	Per local code	

NOTES:

Ornamental tree fence materials and construction requirements shall be per dot standard specification, section 608.06.

ACCESORIES



2305 51st Place, Hyattsville, MD 20781
(301)322-7600

Style: Ornamental Tree Guards	Description: Picket Style: Pressed Point	
Height: 1'5"-2'	Rev #: 0	
Class: Residential and Commercial	Scale: Do Not Scale	
Drawn By: L. G	Date: 8/2/2022	